

6

5

4

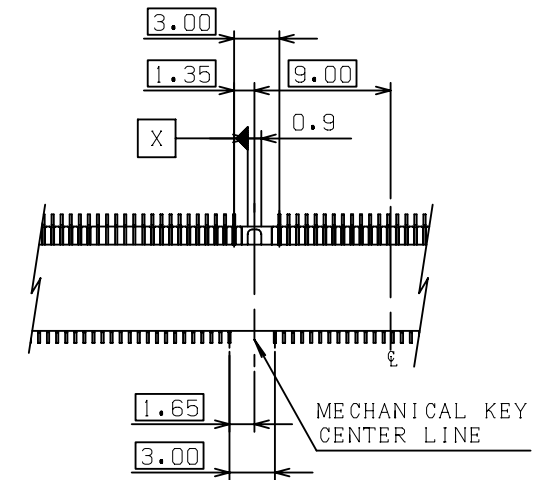
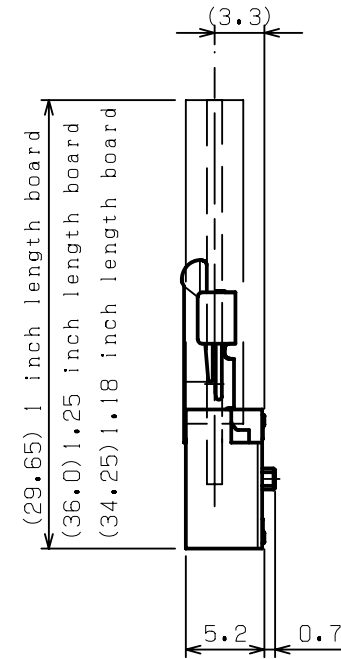
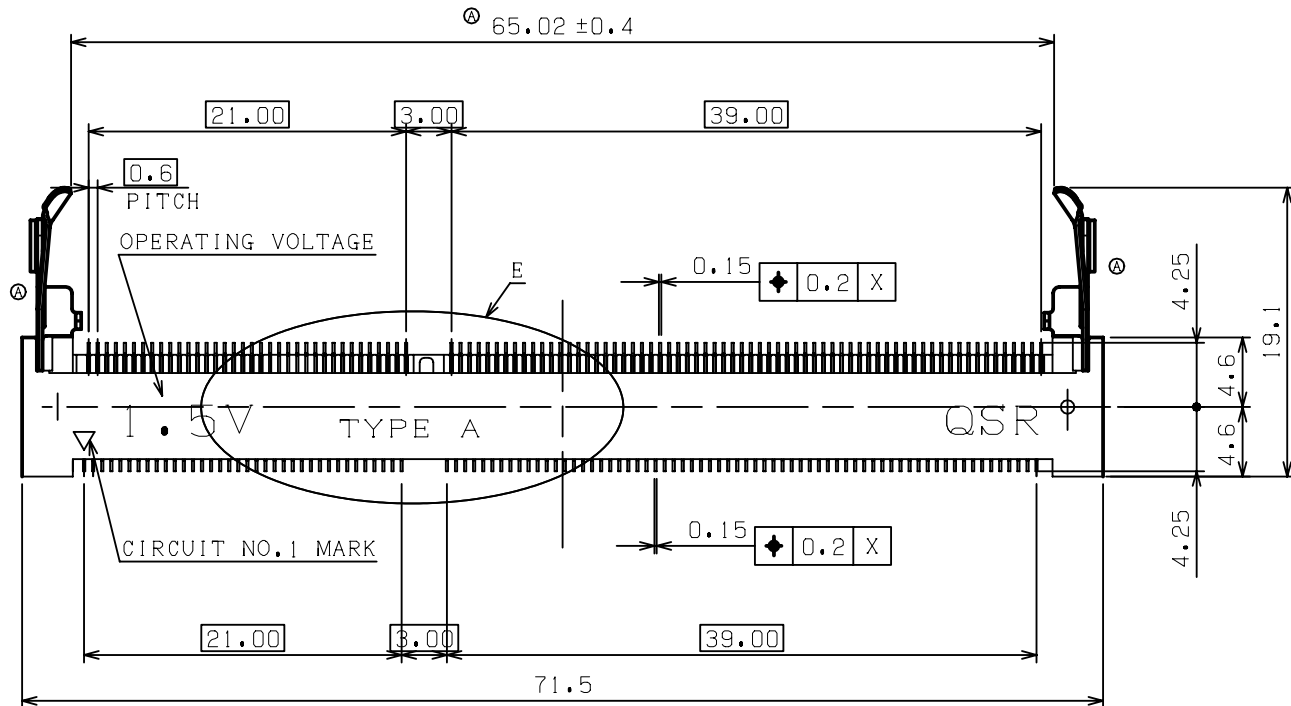
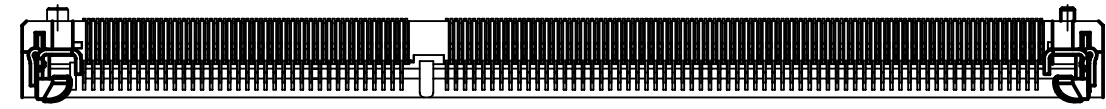
3

2

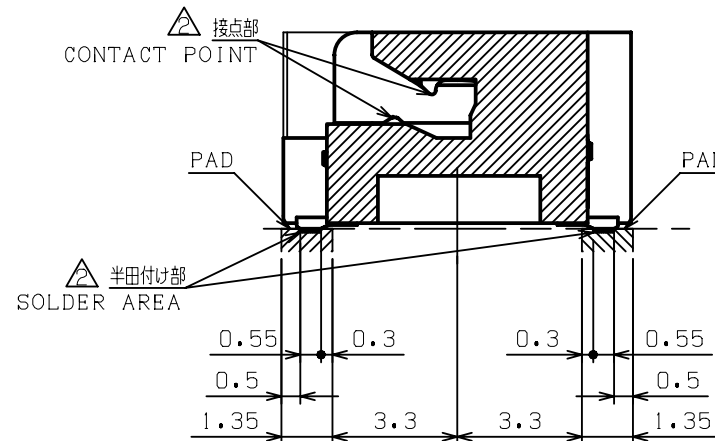
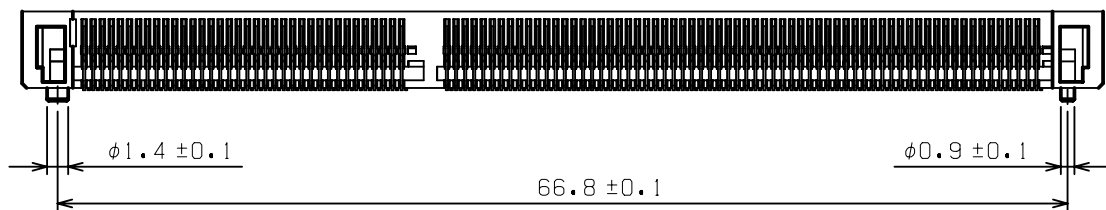
1

鉛フリー  
LEAD FREE

REV.	DESCRIPTION	DATE	DWG.	CHKD
0	PROPOSED	'06.12.26	B.K	T.H
A	REVISED	'09.06.25	B.K	T.H
B	REVISED	'10.10.08	B.K	T.H
C	REVISED	'11.12.01	B.K	T.H
D	REVISED	'12.02.24	B.K	T.H
E	REVISED	'12.11.08	B.K	T.H



DETAIL E  
MECHANICAL KEY TYPE



NOTES.

- 1.材質; ハウジング:LCP樹脂、UL94V-0、色:黒色  
コンタクト:銅合金  
メタルラッチ:ステンレス  
MATERIAL:HOUSING:LCP, UL94V-0, COLOR:BLACK  
CONTACT: COPPER ALLOY  
METAL LATCH:SUS
- メッキ:コンタクト(接点部、半田付け部); 金メッキ0.0075μmMIN, ニッケル下地1.5μmMIN.  
PLATING:CONTACT (CONTACT POINT, SOLDER AREA):  
Au PLATE 0.0075μm MIN, Ni UNDER PLATE 1.5μm MIN.
- コネクタを平坦面に置き、端子半田付け部の浮きは、0.1mm以下  
MUST BE MEASURED FLOATING AMOUNT OF CONTACT TAILS  
FROM DATAM SURFACE IS 0.1mm MAX.

- 倍率適用外寸法  
NOT TO SCALE.
- 公差非累積  
TOLERANCES NON-CUMULATIVE
- 他社のソケット用  
FOR SOCKET OF THE OTHER COMPANIES

1.5V	CA0441-204B01	CA0441-204B31	CA0441-204B21
POWER SUPPLY	PART NO. OF CONNECTOR	PART NO. OF PACKAGED PRODUCT (WITH SOFT TARY)	PART NO. OF PACKAGED PRODUCT (WITH EMBOSS TAPE)

QTY PER ASSY					NOTE	FINISH	PART NO.	NAME		NO.	
※	※	※	※	※	MATERIAL	NET WEIGHT	COLOR	GENERAL TOLERANCE	UNIT:mm		
※	※	※	※	※	*****	***g	*****	±0.2 ±3°	A3		
※	※	※	※	※	FIN.&TREAT	GROSS WEIGHT	SCALE	SIZE	UNIT:mm		
※	※	※	※	※	*****	***g	2:1	A3	UNIT:mm		
※	※	※	※	※	CUSTOMER	PART NO.	CA0441-204B**		REV.	E	
※	※	※	※	※	*****	PROPOSAL NO.		****-***-**-**		REV.	*
※	※	※	※	※	CUSTOMER PART NO.	*****		NAME		(SHEET 1 OF 5)	
※	※	※	※	※	*****	NAME		DDR S.O DIMM SOCKET H=5.2 TYPE A SMALL LATCH			
※	※	※	※	※	APP. '06.12.26	CHKD '06.12.26	DWG. '06.12.26	FOR 204PIN DDR S.O DIMM(DDR3)			
※	※	※	※	※	T.HASHIMOTO	T.HASHIMOTO	B.KA				

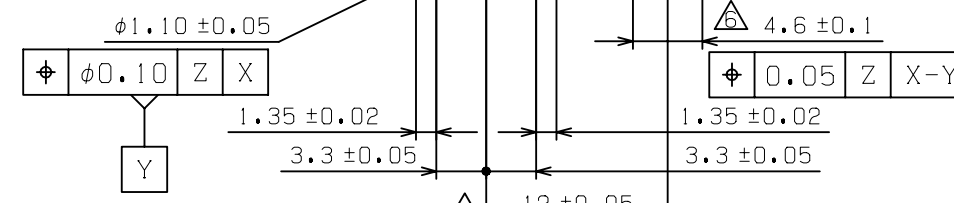
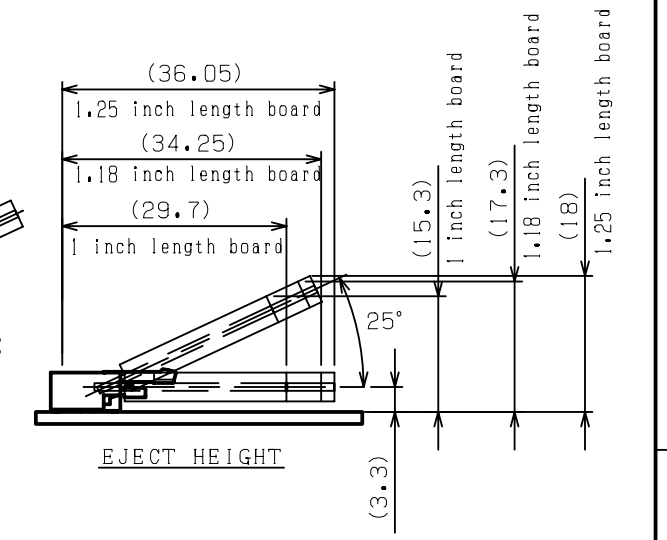
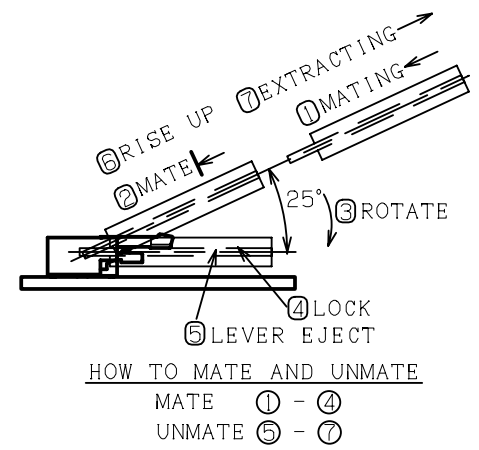
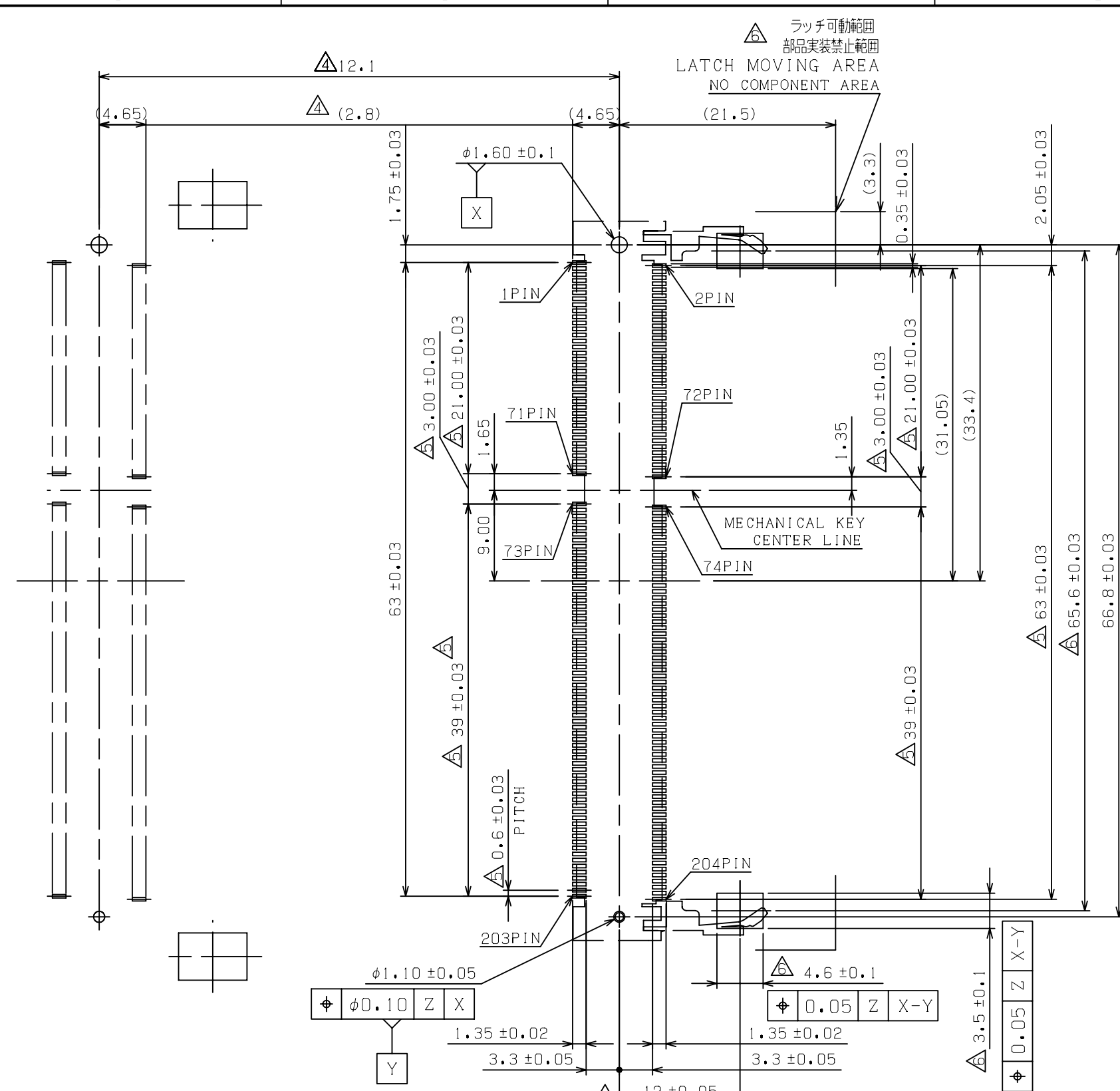
美星鴻科技股份有限公司  
MSH TECHNOLOGY INC.

DDR S.O DIMM SOCKET H=5.2 TYPE A SMALL LATCH  
FOR 204PIN DDR S.O DIMM(DDR3)

(CUSTOMER DRAWING)

XXXXX

REV.	DESCRIPTION	DATE	DWG.	CHKD
	SEE SHEET 1 OF 5			



QTY PER ASSY	NOTE	FINISH	PART NO.	NAME	NO.
***	MATERIAL *****	***g	COLOR *****	GENERAL TOLERANCE ±0.2 ±3°	UNIT:mm
***	FIN.&TREAT *****	***g	SCALE 2:1	SIZE A3	
***	CUSTOMER *****		PART NO. CA0441-204B**		REV. E
***	CUSTOMER PART NO. *****		PROPOSAL NO. ****-**-**-**		REV. *
***	美星鴻科技股份有限公司 MSH TECHNOLOGY INC.		NAME (SHEET 2 OF 5)		
***	APP. 06.12.26	CHKD. 06.12.26	DDR S.O DIMM SOCKET H=5.2 TYPE A SMALL LATCH		
***	T.HASHIMOTO	T.HASHIMOTO	FOR 204PIN DDR S.O DIMM(DDR3)		
***		B.KA	(CUSTOMER DRAWING)		

XXXXX

6

5

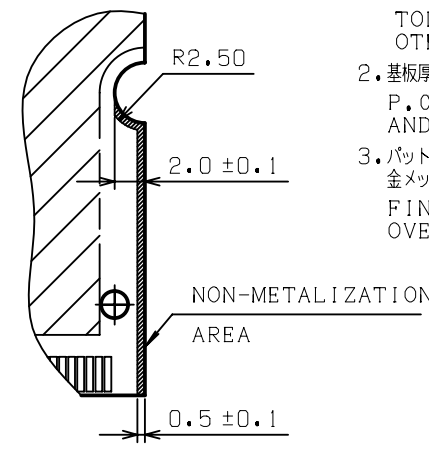
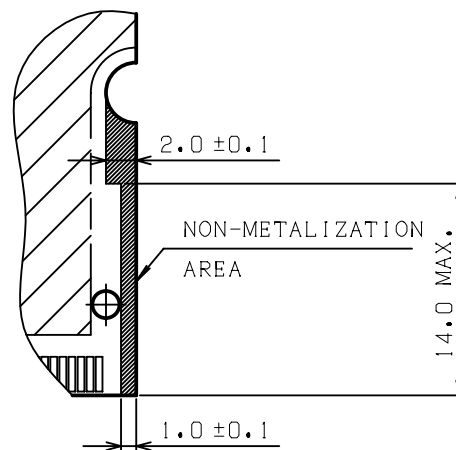
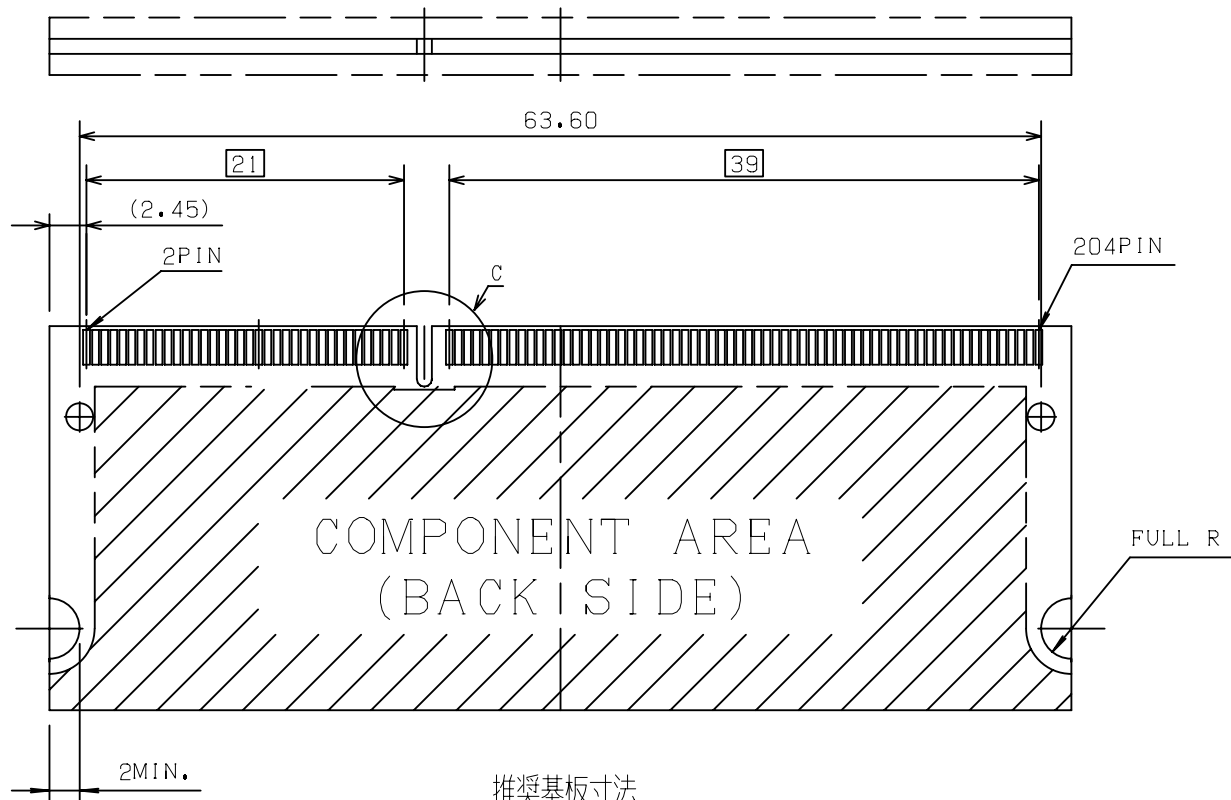
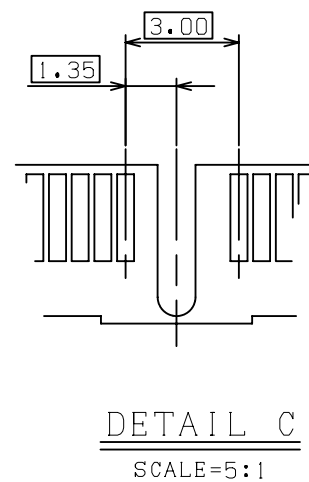
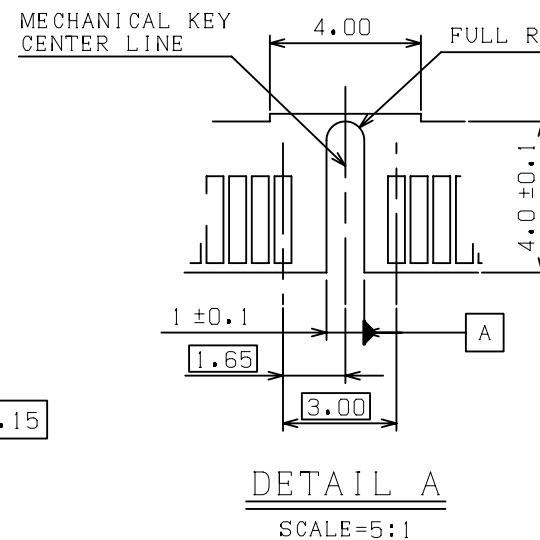
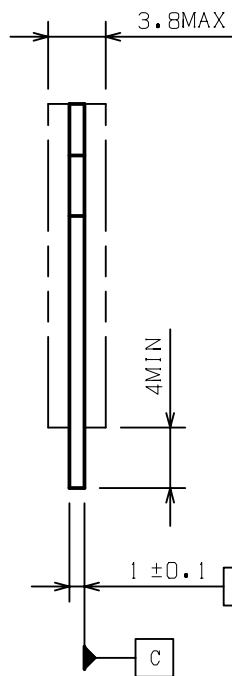
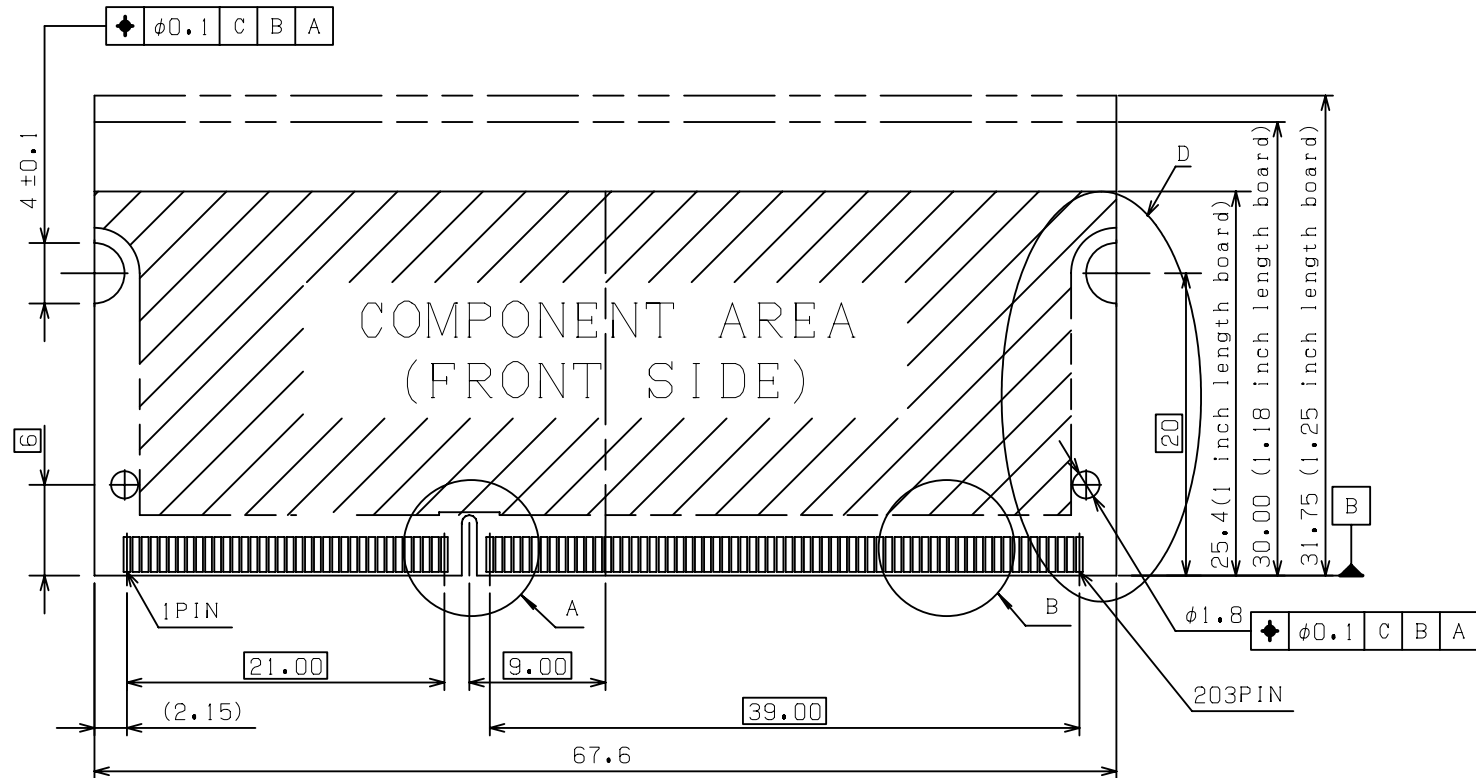
4

3

2

1

REV.	DESCRIPTION	DATE	DWG.	CHKD
	SEE SHEET 1 OF 5			

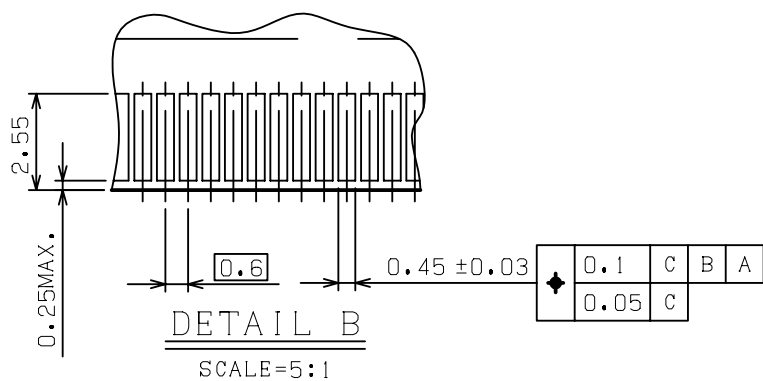


OUTER LAYERS ALL INNER LAYERS  
DETAIL D

注記: (SHEET 3 に適用)  
NOTES: (APPLIED TO SHEET 3)

- 一般公差 ± 0.15  
TOLERANCES ON ALL DIMENSION ± 0.15 UNLESS OTHERWISE SPECIFIED.
- 基板厚寸法は、メッキ厚を含む。  
P.C. BOARD THICKNESS APPLIES ACROSS TABS AND INCLUDES PLATING AND/OR METALIZATION.
- パッド部の仕上げ: ニッケル下地メッキ 0.002MIN. 厚の上に、金メッキ 0.000756MIN. 厚を施す。  
FINISH OF PAD: GOLD PLATING 0.00076MIN. OVER Ni PLATING 0.002MIN.

推奨基板寸法  
RECOMMENDED MATING  
P.C. BOARD DIM.



QTY PER ASSY					NOTE	FINISH	PART NO.	NAME		NO.
**	**	**	**	**	MATERIAL	NET WEIGHT	COLOR	GENERAL TOLERANCE	UNIT:mm	
**	**	**	**	**	*****	***g	*****	±0.2 ±3°		
**	**	**	**	**	FIN.&TREAT	GROSS WEIGHT	SCALE	SIZE		
**	**	**	**	**	*****	***g	2:1	A3		
**	**	**	**	**	CUSTOMER	PART NO.		REV.		
**	**	**	**	**	*****	CA0441-204B**		E		
**	**	**	**	**	CUSTOMER PART NO.	PROPOSAL NO.		REV.		
**	**	**	**	**	*****	****-**-**-**		*		
**	**	**	**	**	美星鴻科技股份有限公司 MSH TECHNOLOGY INC.			(SHEET 3 OF 5)		
**	**	**	**	**	APP. '06.12.26	CHKD '06.12.26	DWG. '06.12.26	DDR S.O DIMM SOCKET H=5.2 TYPE A SMALL LATCH		
**	**	**	**	**	T.HASHIMOTO	T.HASHIMOTO	B.KA	FOR 204PIN DDR S.O DIMM(DDR3)		

(CUSTOMER DRAWING)

6

5

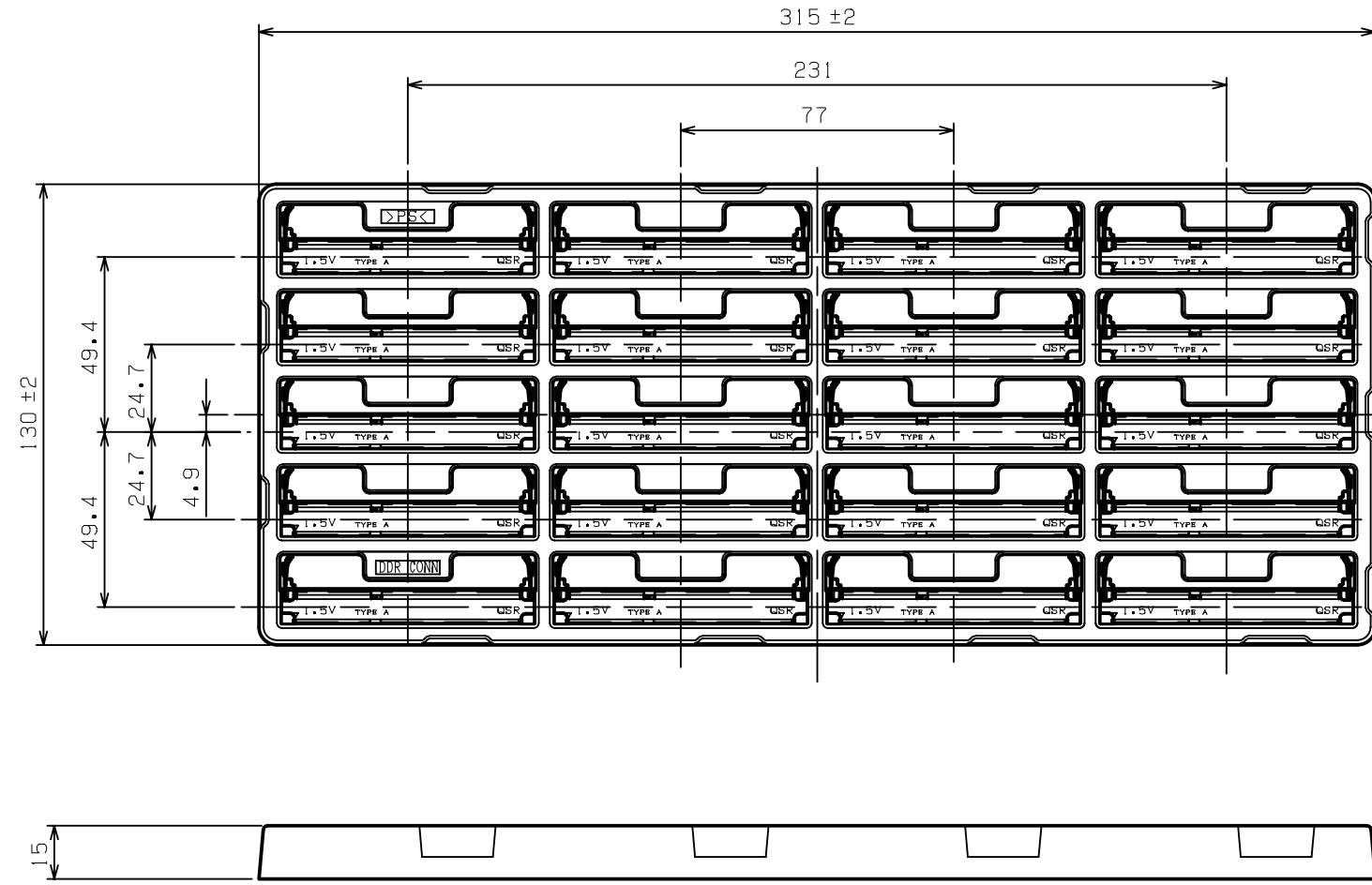
4

3

2

1

REV.	DESCRIPTION	DATE	DWG.	CHKD
	SEE SHEET 1 OF 5			



SOFT TRAY PACKAGING

20	CA0441-204B01	CA0441-204B31
QTY.	PART NO. OF CONNECTOR	PART NO. OF PACKAGED PRODUCT (WITH SOFT TARY)

QTY PER ASSY					NOTE	FINISH	PART NO.		NAME		NO.
*	*	*	*	*	MATERIAL		NET WEIGHT	COLOR	GENERAL TOLERANCE	UNIT:mm	
*	*	*	*	*	*****		***g	*****	±0.5 ±3°	A3	
-	-	-	-	-	FIN.&TREAT		GROSS WEIGHT	SCALE	SIZE	A3	
*	*	*	*	*	*****		***g	1/2		A3	
-	-	-	-	-	CUSTOMER	*****	PART NO.		CA0441-204B**		REV. E
*	*	*	*	*	CUSTOMER PART NO.	*****	PROPOSAL NO.		****-***-**-**		REV. *
*	*	*	*	*	美星鴻科技股份有限公司 MSH TECHNOLOGY INC.		NAME		DDR S.O DIMM SOCKET H=5.2 TYPE A SMALL LATCH		(SHEET 4 OF 5)
*	*	*	*	*	APP. '06.12.26	CHKD '06.12.26	DWG. '06.12.26	FOR 204PIN DDR S.O DIMM(DDR3)			
*	*	*	*	*	T.HASHIMOTO	T.HASHIMOTO	B.KA				

(CUSTOMER DRAWING)

\*\*\*\*\*

6

5

4

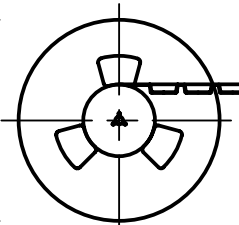
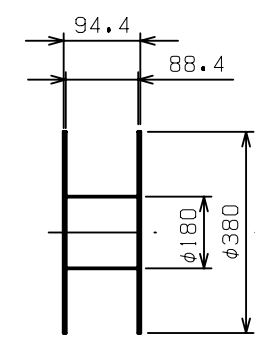
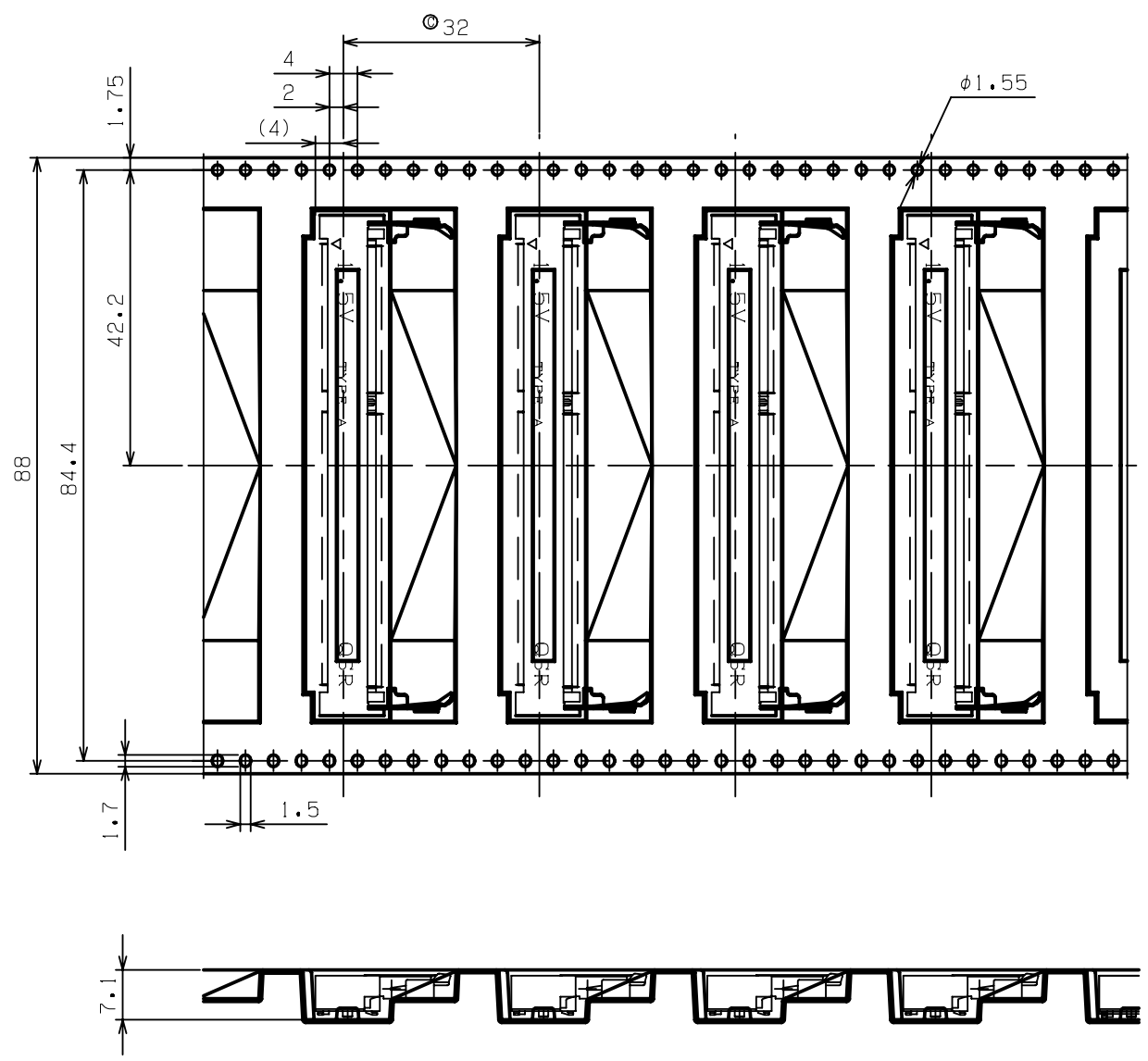
3

2

1

REV.	DESCRIPTION	DATE	DWG.	CHKD
	SEE SHEET 1 OF 5			

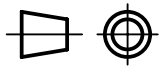
DIRECTION OFF TOP OF REEL  

WINDING THE COVER TAPE  
 AROUND THE OUTER  
 PERIPHERY IN A TURN.  
 カバーテープ リーダー部  
 外周巻  
 剥離角度  
 PEELING ANGLE  
 165° to 180°

空部300mm程度 製品充填部 空部300mm程度  
 250 Pockets  
 100mm MIN.  
 WITHOUT CHARGE WITH PRODUCT APPROX CHARGE WITHOUT CHARGE APPROX

◎ 250	CA0441-204B01	CA0441-204B21
QTY.	PART NO. OF CONNECTOR	PART NO. OF PACKAGED PRODUCT (WITH EMBOSS TAPE)

QTY PER ASSY					NOTE	FINISH	PART NO.	NAME		NO.
*	*	*	*	*	MATERIAL	*****	NET WEIGHT	*****	GENERAL TOLERANCE	UNIT:mm
-	-	-	-	-	FIN.&TREAT	*****	GROSS WEIGHT	SCALE	SIZE	
*	*	*	*	*	CUSTOMER	*****	PART NO.	CA0441-204B**		REV. E
*	*	*	*	*	CUSTOMER PART NO.	*****	PROPOSAL NO.	***-**-**-**		REV. *
*	*	*	*	*	美星鴻科技股份有限公司 MSH TECHNOLOGY INC.			NAME (SHEET 5 OF 5)		
*	*	*	*	*	APP. '06.12.26	CHKD '06.12.26	DWG. '06.12.26	DDR S.O DIMM SOCKET H=5.2 TYPE A SMALL LATCH		
*	*	*	*	*	T.HASHIMOTO	T.HASHIMOTO	B.KA	FOR 204PIN DDR S.O DIMM(DDR3)		

(CUSTOMER DRAWING)

XXXXX